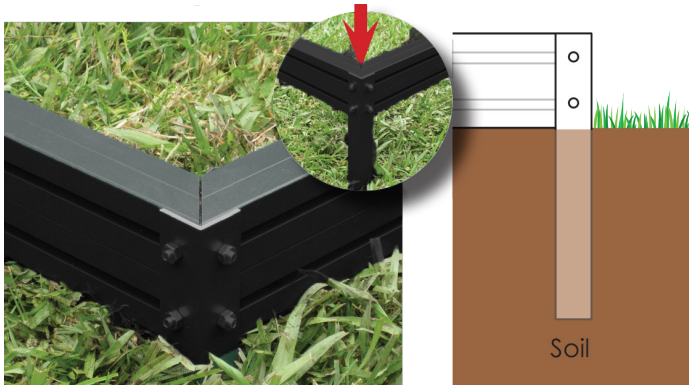


Standard Foundations

All our greenhouses are supplied with corner stakes, either 80mm or 300mm long. 6ft and 8ft wide greenhouses up to 12ft long are supplied with the 300mm corner stakes, 16ft and longer as well as all 10ft wide greenhouses are supplied with 80mm corner stakes and L-shaped brackets for surface-mounting to timber or concrete.

Staked into ground



Staked into ground is the quickest and simplest method. It's great if you want to move your Greenhouse in the future, but not suitable if your site is exposed to strong winds.

Concreted into ground



Corner stakes concreted into position requires a little more work, but provides a stronger anchor & better peace of mind knowing it's solidly anchored. Concrete the corners in after building the greenhouse, in case any adjustments are needed during the build.

Additional Mounting Options

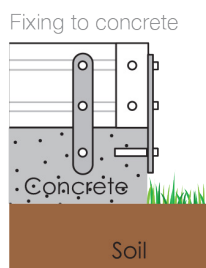
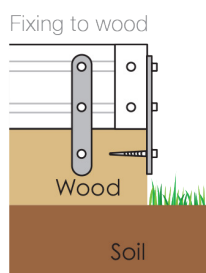
If you are in a windy or exposed area we recommend you consider attaching the greenhouse to either a concrete or timber footing. Keep in mind, if you are getting a larger greenhouse (16ft or longer, and all 10ft wide models) you won't need to purchase a foundation kit as they come with the surface mounting kit.

There are two different styles to choose from, and they can be attached to the inside or outside of the base. They are designed to be fitted at intervals around the base providing multiple fixing points and offering the best and most secure method for securing your Greenhouse in position.

Flush Mounting Kit



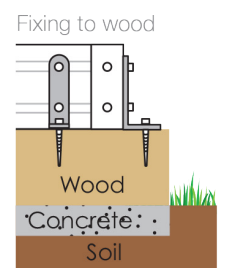
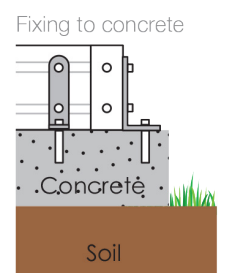
These brackets can be attached to the inside or outside of the base



Surface Mounting Kit



These brackets can be attached to the inside or outside of the base



Helpful information about a concrete footing

If you are building a large greenhouse, or are on softer ground, it is a good idea to build a concrete footing for your greenhouse to sit on to prevent any ground movement underneath it. This is simply a guide, and consideration must be taken for the specific site. We do strongly recommend a footing for our extension greenhouses (16ft and longer).

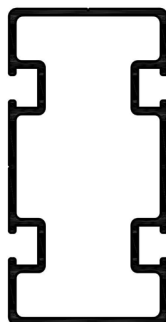
The footing should be about 300mm wide and 400mm deep, with the base of the greenhouse sitting in the middle of the footing. You can also dig piles below, either just in the 4 corners or also adding them on the sides as well. It is recommended that you use a professional concrete person for this work, as it is important to get it right. Accuracy for dimensions, level and square are important.

The image below should give a good general idea of what the footing should look like.

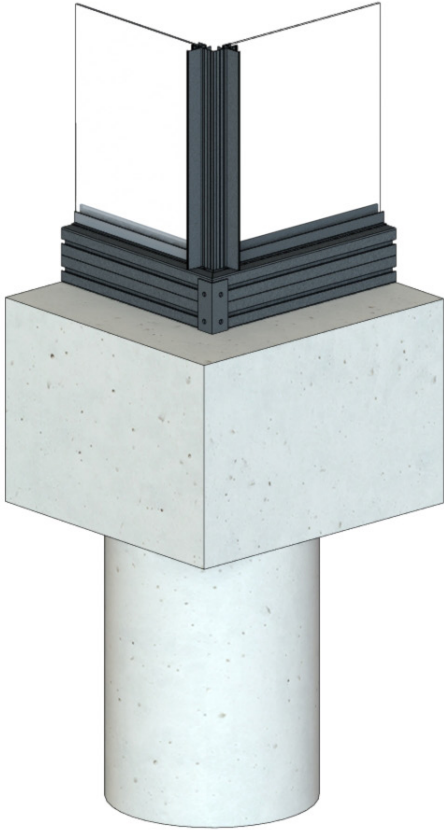


Above is an example of concrete footing for a 12x24ft greenhouse. The footing is 300mm wide by 400mm deep, with piles on the 4 corners and side centers. The boxing is still attached in the image as the concrete was still curing when the picture was taken.

The L630 base piece of the greenhouse is 40mm wide by 80mm high. Please find the exact dimensions for your greenhouse in the assembly manual for the size you are purchasing, or refer to the table on the last page. This will give you the measurements you need in order to make your concrete footing and locate your base on the footing.

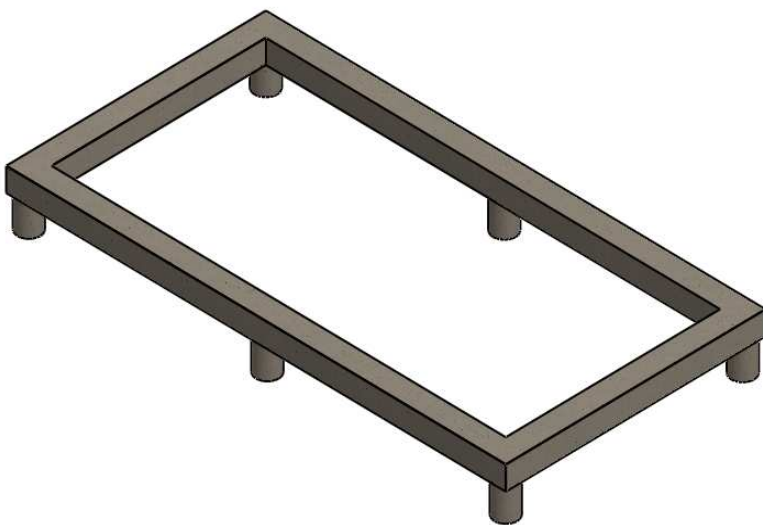
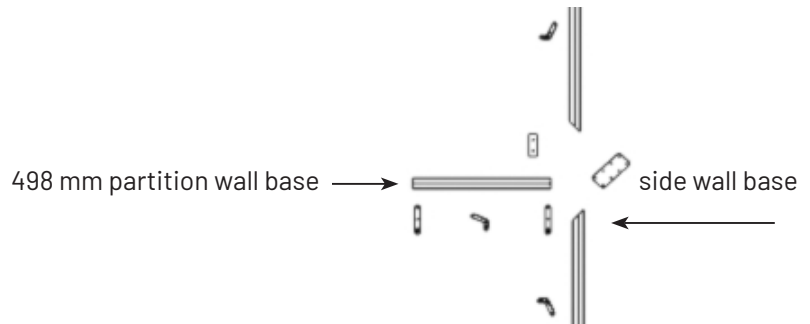


L630 base profile, 40mm
wide by 80mm high



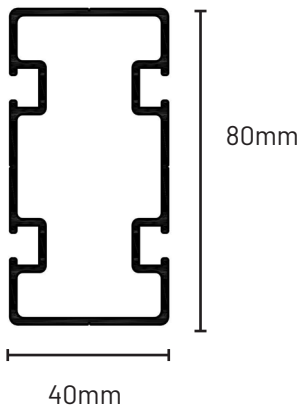
A render of the corner of the greenhouse base sitting on a corner of the footing is pictured here. The concrete footing diagram on pg 5 is calculating for the greenhouse base to sit in the middle of the 300mm footing. If you want to have your base flush with the inside or outside of the footing, you will need to adjust the dimensions accordingly.

Please note, for extension greenhouses with a partition wall, your base will also need to be supported by the footing under the partition wall. The partition wall base comes into the greenhouse 500mm from the internal length of the base. Please check your specific instructions for the exact dimensions.

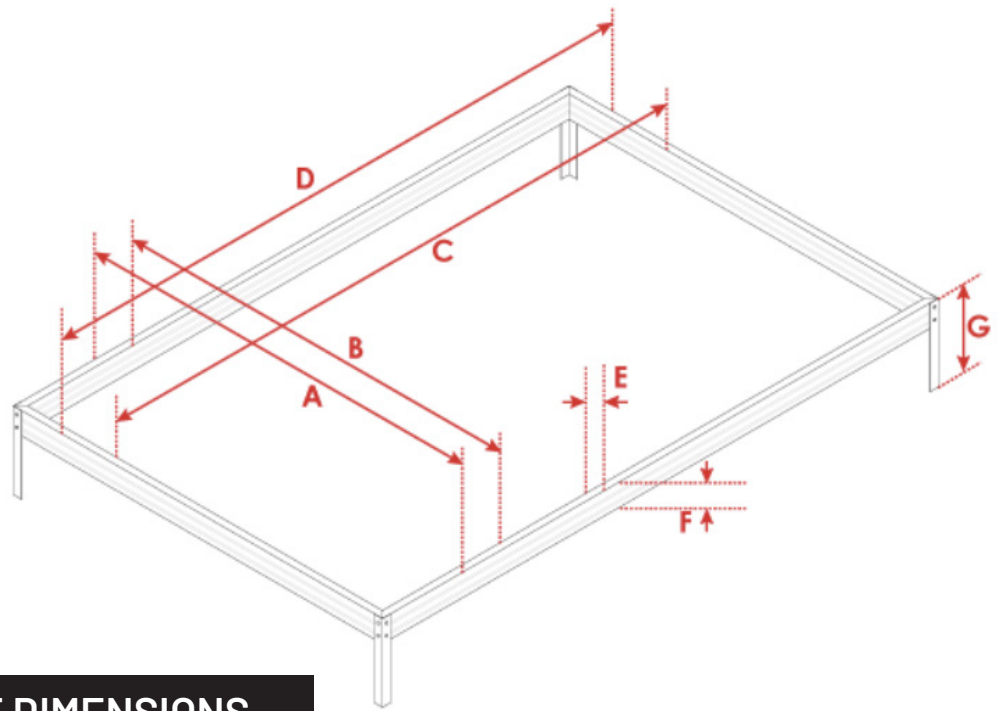


Pictured here is a render of a concrete footing, not for a specific size greenhouse, but to give a general idea of the look of the footing with piles. If you have a longer greenhouse and softer ground, more piles would be recommended. If you are doing a small greenhouse, you may only need them in the 4 corners.

The following pages have diagrams, along with the dimensions for the base of the greenhouse (pg 4), recommended concrete footing dimensions (pg 5) and recommended wooden frame dimensions (pg 6).



cross-section of L630 base profile



ALUMINIUM BASE DIMENSIONS

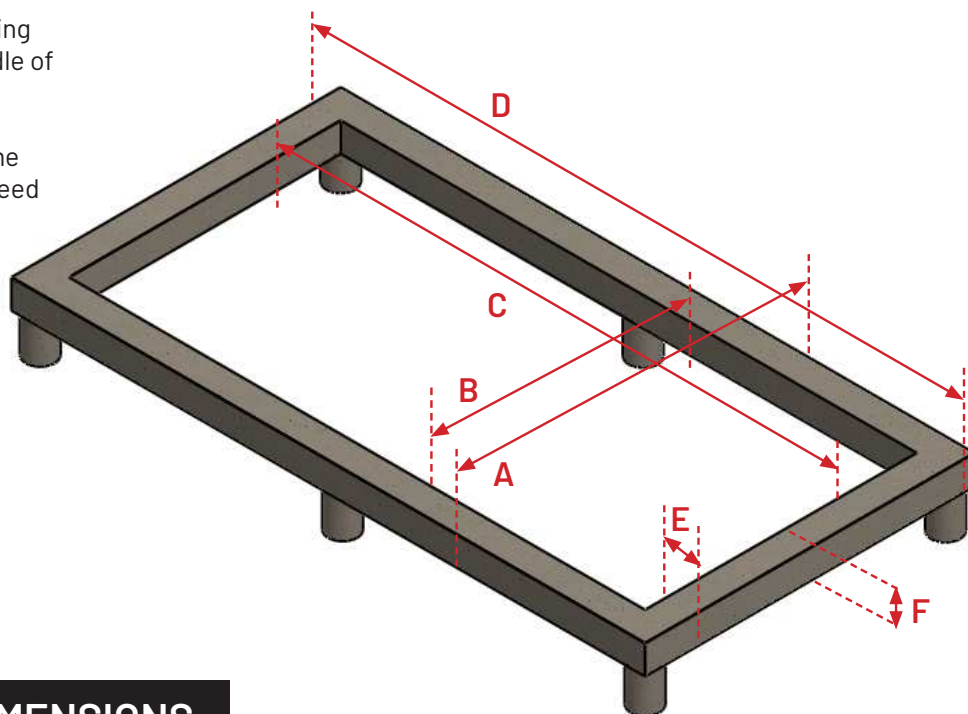
Greenhouse Size (ft and m)	A outside width	B inside width	C inside length	D outside length	E base width	F base height
6x6ft/1.9x1.9m Greenhouse	1972mm	1892mm	1892mm	1972mm	40mm	80mm
6x8ft/1.9x2.6m Greenhouse	1972mm	1892mm	2516mm	2596mm	40mm	80mm
6x10ft/1.9x3.2m Greenhouse	1972mm	1892mm	3140mm	3220mm	40mm	80mm
6x12ft/1.9x3.8m Greenhouse	1972mm	1892mm	3764mm	3844mm	40mm	80mm
6x16ft/1.9x5.1m Greenhouse	1972mm	1892mm	5058mm	5138mm	40mm	80mm
6x20ft/1.9x6.4m Greenhouse	1972mm	1892mm	6306mm	6386mm	40mm	80mm
6x24ft/1.9x7.7m Greenhouse	1972mm	1892mm	7600mm	7680mm	40mm	80mm
8x6ft/2.6x1.9m Greenhouse	2596mm	2516mm	1892mm	1972mm	40mm	80mm
8x8ft/2.6x2.6m Greenhouse	2596mm	2516mm	2516mm	2596mm	40mm	80mm
8x10ft/2.6x3.2m Greenhouse	2596mm	2516mm	3140mm	3220mm	40mm	80mm
8x12ft/2.6x3.8m Greenhouse	2596mm	2516mm	3764mm	3844mm	40mm	80mm
8x16ft/2.6x5.1m Greenhouse	2596mm	2516mm	5058mm	5138mm	40mm	80mm
8x20ft/2.6x6.4m Greenhouse	2596mm	2516mm	6306mm	6386mm	40mm	80mm
8x24ft/2.6x7.7m Greenhouse	2596mm	2516mm	7600mm	7680mm	40mm	80mm
10x8ft/3.2x2.6m Greenhouse	3220mm	3140mm	2516mm	2596mm	40mm	80mm
10x10ft/3.2x3.2m Greenhouse	3220mm	3140mm	3140mm	3220mm	40mm	80mm
10x12ft/3.2x3.8m Greenhouse	3220mm	3140mm	3764mm	3844mm	40mm	80mm
10x16ft/3.2x5.1m Greenhouse	3220mm	3140mm	5058mm	5138mm	40mm	80mm
10x20ft/3.2x6.4m Greenhouse	3220mm	3140mm	6306mm	6386mm	40mm	80mm
10x24ft/3.2x7.7m Greenhouse	3220mm	3140mm	7600mm	7680mm	40mm	80mm
10x32ft/3.2x10.2m Greenhouse	3220mm	3140mm	10142mm	10222mm	40mm	80mm
10x36ft/3.2x11.5m Greenhouse	3220mm	3140mm	11384mm	11464mm	40mm	80mm

This concrete footing diagram is calculating for the greenhouse base to sit in the middle of a 300mm footing.

If you want to have your base flush with the inside or outside of the footing, you will need to adjust the dimensions accordingly.

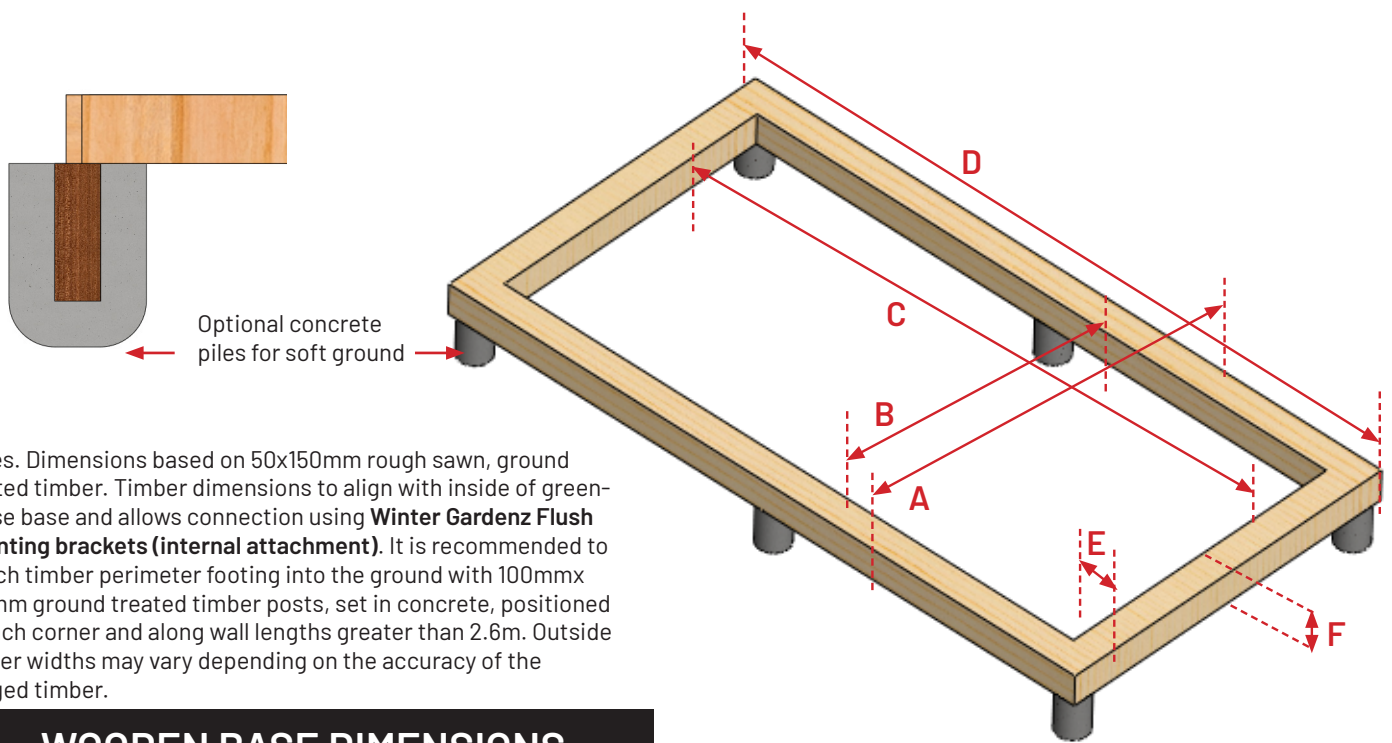
Please note, for extension greenhouses with a partition wall, your base will also need to be supported by the footing under the partition wall.

The partition wall base comes into the greenhouse 500mm from the internal length of the base. Please check your specific instructions for the exact dimensions.



CONCRETE FOOTING DIMENSIONS

Greenhouse Size (ft and m)	A outside width	B inside width	C inside length	D outside length	E base width	F base height
6x6ft/1.9x1.9m Greenhouse	2232mm	1632mm	1632mm	2232mm	300mm	400mm
6x8ft/1.9x2.6m Greenhouse	2232mm	1632mm	2256mm	2856mm	300mm	400mm
6x10ft/1.9x3.2m Greenhouse	2232mm	1632mm	2880mm	3480mm	300mm	400mm
6x12ft/1.9x3.8m Greenhouse	2232mm	1632mm	3504mm	4104mm	300mm	400mm
6x16ft/1.9x5.1m Greenhouse	2232mm	1632mm	4798mm	5398mm	300mm	400mm
6x20ft/1.9x6.4m Greenhouse	2232mm	1632mm	6046mm	6646mm	300mm	400mm
6x24ft/1.9x7.7m Greenhouse	2232mm	1632mm	7340mm	7940mm	300mm	400mm
8x6ft/2.6x1.9m Greenhouse	2856mm	2256mm	1632mm	2232mm	300mm	400mm
8x8ft/2.6x2.6m Greenhouse	2856mm	2256mm	2256mm	2856mm	300mm	400mm
8x10ft/2.6x3.2m Greenhouse	2856mm	2256mm	2880mm	3480mm	300mm	400mm
8x12ft/2.6x3.8m Greenhouse	2856mm	2256mm	3504mm	4104mm	300mm	400mm
8x16ft/2.6x5.1m Greenhouse	2856mm	2256mm	4798mm	5398mm	300mm	400mm
8x20ft/2.6x6.4m Greenhouse	2856mm	2256mm	6046mm	6646mm	300mm	400mm
8x24ft/2.6x7.7m Greenhouse	2856mm	2256mm	7340mm	7940mm	300mm	400mm
10x8ft/3.2x2.6m Greenhouse	3480mm	2880mm	2256mm	2856mm	300mm	400mm
10x10ft/3.2x3.2m Greenhouse	3480mm	2880mm	2880mm	3480mm	300mm	400mm
10x12ft/3.2x3.8m Greenhouse	3480mm	2880mm	3504mm	4104mm	300mm	400mm
10x16ft/3.2x5.1m Greenhouse	3480mm	2880mm	4798mm	5398mm	300mm	400mm
10x20ft/3.2x6.4m Greenhouse	3480mm	2880mm	6046mm	6646mm	300mm	400mm
10x24ft/3.2x7.7m Greenhouse	3480mm	2880mm	7340mm	7940mm	300mm	400mm
10x32ft/3.2x10.2m Greenhouse	3480mm	2880mm	9882mm	10482mm	300mm	400mm
10x36ft/3.2x11.5m Greenhouse	3480mm	2880mm	11084mm	11684mm	300mm	400mm



Notes. Dimensions based on 50x150mm rough sawn, ground treated timber. Timber dimensions to align with inside of greenhouse base and allows connection using **Winter Gardenz Flush Mounting brackets (internal attachment)**. It is recommended to attach timber perimeter footing into the ground with 100mmx100mm ground treated timber posts, set in concrete, positioned in each corner and along wall lengths greater than 2.6m. Outside timber widths may vary depending on the accuracy of the gauged timber.

WOODEN BASE DIMENSIONS

Greenhouse Size (ft and m)	A outside width	B inside width	C inside length	D outside length	E base width	F base height
6x6ft/1.9x1.9m Greenhouse	1992mm	1892mm	1892mm	1992mm	50mm	150mm
6x8ft/1.9x2.6m Greenhouse	1992mm	1892mm	2516mm	2616mm	50mm	150mm
6x10ft/1.9x3.2m Greenhouse	1992mm	1892mm	3140mm	3240mm	50mm	150mm
6x12ft/1.9x3.8m Greenhouse	1992mm	1892mm	3764mm	3864mm	50mm	150mm
6x16ft/1.9x5.1m Greenhouse	1992mm	1892mm	5058mm	5158mm	50mm	150mm
6x20ft/1.9x6.4m Greenhouse	1992mm	1892mm	6306mm	6406mm	50mm	150mm
6x24ft/1.9x7.7m Greenhouse	1992mm	1892mm	7600mm	7700mm	50mm	150mm
8x6ft/2.6x1.9m Greenhouse	2616mm	2516mm	1892mm	1992mm	50mm	150mm
8x8ft/2.6x2.6m Greenhouse	2616mm	2516mm	2516mm	2616mm	50mm	150mm
8x10ft/2.6x3.2m Greenhouse	2616mm	2516mm	3140mm	3240mm	50mm	150mm
8x12ft/2.6x3.8m Greenhouse	2616mm	2516mm	3764mm	3864mm	50mm	150mm
8x16ft/2.6x5.1m Greenhouse	2616mm	2516mm	5058mm	5158mm	50mm	150mm
8x20ft/2.6x6.4m Greenhouse	2616mm	2516mm	6306mm	6406mm	50mm	150mm
8x24ft/2.6x7.7m Greenhouse	2616mm	2516mm	7600mm	7700mm	50mm	150mm
10x8ft/3.2x2.6m Greenhouse	3240mm	3140mm	2516mm	2616mm	50mm	150mm
10x10ft/3.2x3.2m Greenhouse	3240mm	3140mm	3140mm	3240mm	50mm	150mm
10x12ft/3.2x3.8m Greenhouse	3240mm	3140mm	3764mm	3864mm	50mm	150mm
10x16ft/3.2x5.1m Greenhouse	3240mm	3140mm	5058mm	5158mm	50mm	150mm
10x20ft/3.2x6.4m Greenhouse	3240mm	3140mm	6306mm	6406mm	50mm	150mm
10x24ft/3.2x7.7m Greenhouse	3240mm	3140mm	7600mm	7700mm	50mm	150mm
10x32ft/3.2x10.2m Greenhouse	3240mm	3140mm	10142mm	10242mm	50mm	150mm
10x36ft/3.2x11.5m Greenhouse	3240mm	3140mm	11344mm	11444mm	50mm	150mm